

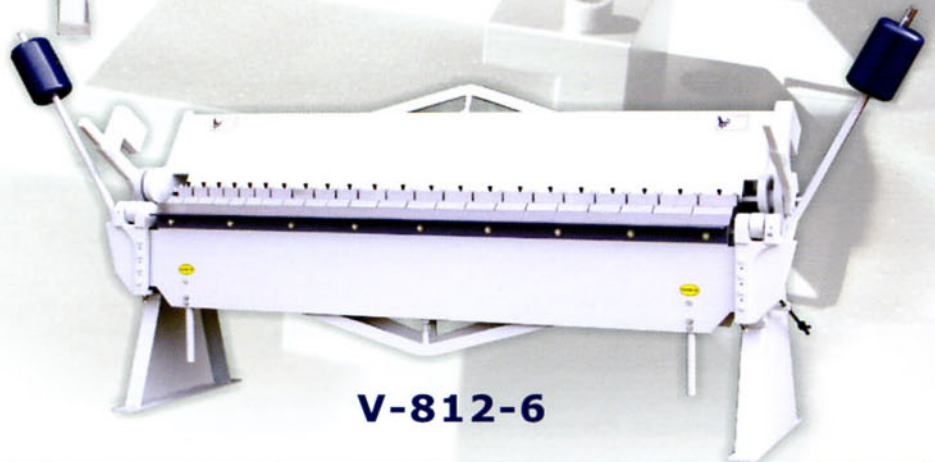
# FLOOR TYPE BRAKE



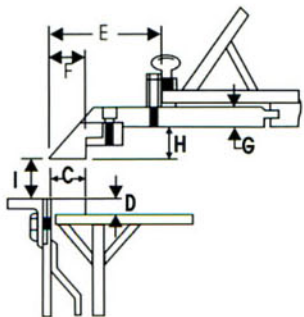
## BOX AND PAN BRAKE



**V-412-6**



**V-812-6**



MANUAL BOX & PAN BRAKE  
HYDRAULIC BOX & PAN BRAKE

### DIMENSIONS

| MODEL | V-412<br>V-612<br>V-816 | V-812<br>V-1014 | V-1016 | V-1218<br>V-4022 | V-412-6<br>V-612-6 | V-616-6<br>V-816-6 | V-812-6<br>V-1014-6 | V-1016-6<br>V-1218-6<br>V-4022-6 | VH-412-6<br>VH-612-6<br>VH-812-6 | VH-1014-6<br>VH-1216-6<br>VH-4016-6 |
|-------|-------------------------|-----------------|--------|------------------|--------------------|--------------------|---------------------|----------------------------------|----------------------------------|-------------------------------------|
| A     | 80                      | 100             | 100    | 100              |                    |                    |                     |                                  |                                  |                                     |
| B     | 16                      | 25              | 20     | 25               |                    |                    |                     |                                  |                                  |                                     |
| C     | 50                      | 50              | 50     | 50               | 50                 | 50                 | 50                  | 50                               | 50                               | 50                                  |
| D     | 23                      | 23              | 20     | 23               | 23                 | 20                 | 23                  | 20                               | 23                               | 23                                  |
| E     |                         |                 |        |                  | 150                | 150                | 150                 | 150                              | 150                              | 150                                 |
| F     |                         |                 |        |                  | 50                 | 50                 | 50                  | 50                               | 50                               | 50                                  |
| G     |                         |                 |        |                  | 30                 | 20                 | 30                  | 25                               | 30                               | 30                                  |
| H     |                         |                 |        |                  | 33                 | 33                 | 33                  | 33                               | 33                               | 33                                  |
| I     | 40                      | 53              | 53     | 53               | 40                 | 40                 | 53                  | 53                               | 53                               | 100                                 |

### BOX AND PAN BRAKE

Specifications are subject to change without prior notice

| MODEL                |            | V-412-6           | V-612-6           | V-812-6           | V-816-6           | V-1014-6          | V-1016-6          | V-1218-6          | V-4022-6          |
|----------------------|------------|-------------------|-------------------|-------------------|-------------------|-------------------|-------------------|-------------------|-------------------|
| BENDING CAPACITY     | LENGTH     | 1220 mm (48")     | 1830mm (72")      | 2440 mm (96")     | 2440 mm (96")     | 3048mm (120")     | 3048mm (120")     | 3700mm (145")     | 4000mm (157")     |
|                      | MILD STEEL | 2.5mm (12GA)      | 2.5mm (12GA)      | 2.5 mm (12GA)     | 1.6mm (16GA)      | 2.0mm (14GA)      | 1.6mm (16GA)      | 1.2mm (18GA)      | 0.8mm (22GA)      |
|                      | STAINLESS  | 1.6mm (16GA)      | 1.6mm (16GA)      | 1.6mm (16GA)      | 1.0mm (20GA)      | 1.2mm (18GA)      | 1.0mm (20GA)      | 0.8mm (22GA)      | 0.6mm (24GA)      |
| BENDING ANGLE        |            | 0-135°            | 0-135°            | 0-135°            | 0-135°            | 0-135°            | 0-135°            | 0-135°            | 0-135°            |
| BEAM ADJUSTMENT      |            | 25mm (1")         | 25mm (1")         | 25mm (1")         | 25mm (1")         | 25mm (1")         | 25mm (1")         | 25mm (1")         | 25mm (1")         |
| MIN REVERSE BEND     |            | 12mm(1/2")        | 12mm(1/2")        | 12mm(1/2")        | 12mm(1/2")        | 12mm(1/2")        | 12mm(1/2")        | 12mm(1/2")        | 12mm(1/2")        |
| PACKING SIZE (mm)    |            | 1800 x 850 x 1100 | 2450 x 850 x 1100 | 3120 x 850 x 1100 | 3120 x 850 x 1100 | 3700 x 850 x 1150 | 3700 x 850 x 1150 | 4250 x 850 x 1200 | 4700 x 900 x 1200 |
| PACKING WEIGHT (Kgs) |            | 800               | 1050              | 1460              | 1150              | 1700              | 1450              | 2450              | 2700              |